

SUMMARY



Wires

Low	0
High	0
Coax	0
Triax	0
Quad	0
Fiber	0
Fluidic	0

Download

[Request a quote](#)

[Catalog](#)

Series	2M
Termination type	No contacts / Accessory
IP rating	50
Cable Ø	0.00 - 0.00 mm
Matching parts	xxx

TECHNICAL DETAILS

Mechanics

Shell Style/Model	BGE*: Blanking cap for fixed receptacle (arctic grip)
Keying	
Housing Material	Environment friendly aluminium (nickel plated, anthracite color) shell and nut, other pieces bronze/brass
Cable Fixing	∅0 - 0 mm
Variant	

Performance

Configuration
Insulator
Rated Current

Specifications

Contact LEMO for performance details.

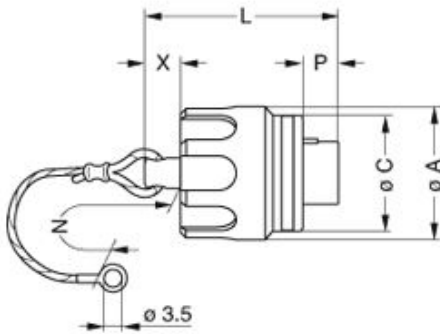
Others

Humidity (max):	<=95% [at 60 deg C / 140 F]
Vibration:	15 g [10 Hz - 2000 Hz]
Shock Resistance:	100 g [6 ms]
Operating temperature:	-55° C/ +200° C

Climatical Category: 15/200/21 (Al. shell)
Lighting strike EIA 364-75 10K amps - 6 times
EMI Shielding EIA 364-66A - 1Ghz-80 dB,3GHz-70 dB,6GHz- 58dB
IP Rating: 50

DRAWINGS

Draws



Dimensions

	A	C	L	N	P	X
mm.	18.9	17.2	23.4	85	3.9	6
in.	0,74	0,68	0,92	3,35	0,15	0,24

RECOMMENDED BY LEMO

Tools

None

Cables