

SUMMARY

Wires

Low	30
High	0
Coax	0
Triax	0
Quad	0
Fiber	0
Fluidic	0



Download

[Request a quote](#)

[Catalog](#)

Series	3M
Termination type	Female crimp
IP rating	68
Cable Ø	0.00 - 0.00 mm
Matching parts	EGS.3M.330.XLC

TECHNICAL DETAILS

Mechanics

Shell Style/Model	FG*: Straight plug with arctic grip and MIL spec backend
Keying	
Housing Material	Environment friendly aluminium (nickel plated, anthracite color) shell and nut, other pieces bronze/brass
Cable Fixing	∅0 - 0 mm
Variant	

Performance

Configuration	3M.330 : 30 Low Voltage
Insulator	
Rated Current	3.5 Amps

Specifications

Contact Type: Crimp
Max. Matings: 5000
Contact Retention: 22 N
Contact Dia.: 0.7 mm (0.028in)
Bucket Dia.: 0.8 mm (0.031in)
Min. Conductor: 0.14 mm ² (AWG 26)
Max. Conductor: 0.34 mm ² (AWG 22)
R (max): 6.1 mOhm

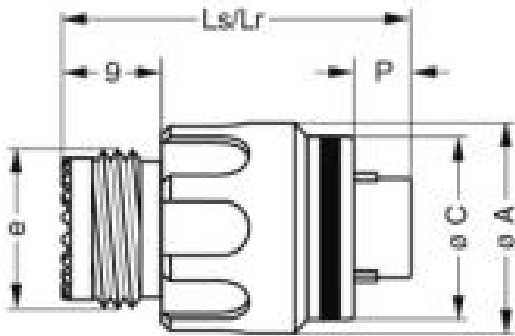
Test voltage (kV rms) Contact-contact: 1.10
Test voltage (kV rms) Contact-shell: 1.00

Others

Humidity (max): $\leq 95\%$ [at 60 deg C / 140 F]
Vibration: 15 g [10 Hz - 2000 Hz]
Shock Resistance: 100 g [6 ms]
Operating temperature: $-55^{\circ}\text{C} / +200^{\circ}\text{C}$
Climatical Category: 15/200/21 (Al. shell)
Lighting strike EIA 364-75 10K amps - 6 times
EMI Shielding EIA 364-66A - 1Ghz-80 dB, 3GHz-70 dB, 6GHz- 58dB
IP Rating: 68

DRAWINGS

Draws



Dimensions

	A	C	Lr	Ls	P	e
mm.	20.9	19.2	26.4	26.4	3.9	M18x1.0
in.	0,82	0,76	1,04	1,04	0,15	

RECOMMENDED BY LEMO

Tools

Crimp Tool: DPC.91.701.V
Crimp settings: AWG/Selector = 22-24-26/6-5-5
Positionner: DCE.91.070.3MVM
Extractor: DCF.93.070.4LT
Replacement contact: EGN.0M.655.ZZM

Cables