

SUMMARY

Wires

Low	30
High	0
Coax	0
Triax	0
Quad	0
Fiber	0
Fluidic	0

Series	3M
Termination type	Female print PCB
IP rating	68
Cable Ø	0.00 - 0.00 mm
Matching parts	FMU.3M.330.XLC



Download

- [Request a quote](#)
- [PCB Eagle Pattern](#)
- [PCB Altium Pattern](#)
- [Catalog](#)

TECHNICAL DETAILS

Mechanics

Shell Style/Model	HE*: Fixed receptacle, nut fixing for printed circuit, watertight
Keying	
Housing Material	Environment friendly aluminium (nickel plated, anthracite color) shell and nut, other pieces bronze/brass
Cable Fixing	∅0 - 0 mm
Variant	P : Watertight

Performance

Configuration	3M.330 : 30 Low Voltage
Insulator	
Rated Current	3.5 Amps

Specifications

Contact Type: Print (straight)
Max. Matings: 5000
Contact Dia.: 0.7 mm (0.028in)
R (max): 6.1 mOhm
Test voltage (kV rms) Contact-contact: 1.10
Test voltage (kV rms) Contact-shell: 1.00

Others

Humidity (max): <=95% [at 60 deg C / 140 F]

Vibration: 15 g [10 Hz - 2000 Hz]

Shock Resistance: 100 g [6 ms]

Operating temperature: -20°C / +80°C

Climatical Category: 15/200/21 (Al. shell)

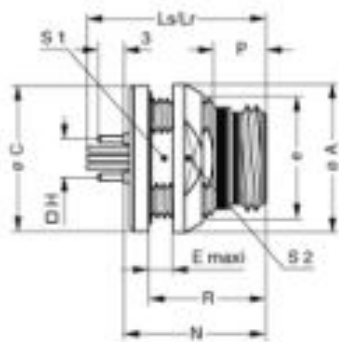
Lighting strike EIA 364-75 10K amps - 6 times

EMI Shielding EIA 364-66A - 1Ghz-80 dB,3GHz-70 dB,6GHz- 58dB

IP Rating: 68

DRAWINGS

Draws



Dimensions

	A	C	E	H	Lr	Ls	N	P	R	S1	S2	e
mm.	23	22.8	5	10.16	21	20.8	16.8	5.3	13.8	17.5	20	M19x1.00
in.	0,91	0,90	0,20	0,40	0,83	0,82	0,66	0,21	0,54	0,69	0,79	

RECOMMENDED BY LEMO

Tools

Spanner wrench: DCM.65.000.4PA

Cables