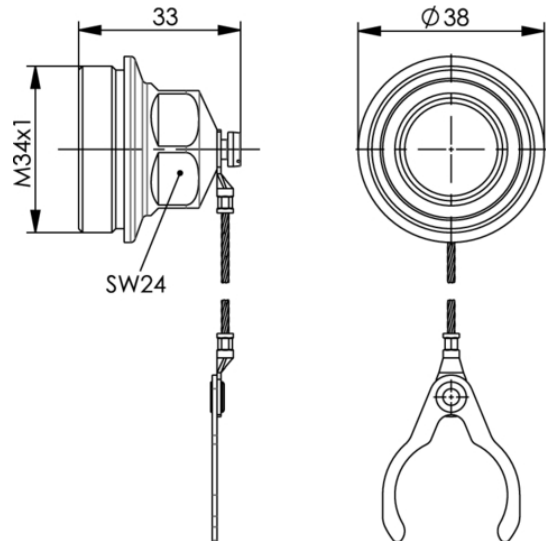


order number: H60030A0001

TOC plug protection cap IP68, nickel-plated brass, with chain



Technical Attributes	
Description	TOC plug protection cap IP68
Remarks	nickel-plated brass; with chain

Product description

TOC stands for Telecommunications Outdoor Connectors and offers cabling professionals the reliability and flexibility they need for toughest applications. The handy, easy to install TOC connectors are used for data- and telecommunications in mobile radio, process-, utility- and traffic automation, or security applications but also in the harsh environment of machine and plant engineering. The TOC series is available in nickel-plated brass for RJ45 Cat.6_A, FO LC Duplex and MPO/MTP® connectors. Compliance with the specifications of protection class IP68 and due to its excellent material properties, the TOC series can be installed even in harsh conditions within a temperature range from -40°C to 85°C. To lock, relief of strain and seal the connection, one turning movement is necessary and no further procedures are required. Customers benefit: a fast, error free and easy installation, high transmission reliability and resilience and more flexibility in the network design.